

## MEMO ANNOUNCEMENT

***Welcome to our bi-monthly newsletter, Issue 2.***

For **2026**, please send all MEMO submissions to me directly by or before the following dates:

**Issue 3: April 28 deadline** (for May 1 release)

**Issue 4: July 3 deadline** (for July 1 release, including Annual Conference Fort Wayne Wrap-Up)

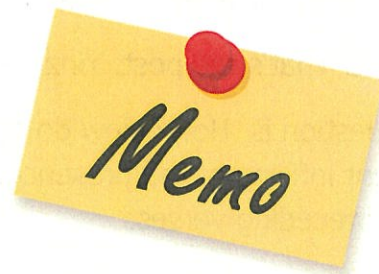
**Issue 5: August 25 deadline** (for September 1 release)

**Issue 6: October 27 deadline** (for November 1 release)

Send electronic submissions to [westmarvade@gmail.com](mailto:westmarvade@gmail.com), call or text 540-742-2457, or send mail correspondence to the District Office at 384 Dennett Rd, Oakland MD 21550

*Include anything you'd like the district churches to know about, learn about, pray about, support, copy, or otherwise enjoy!*

- ✓ **service times, special occasions/events, fundraisers,**
- ✓ **prayers/poems/devotionals/liturgies/responsive readings,**
- ✓ **book/study recommendations,**
- ✓ **church or pastor anniversaries/homecomings/milestones,**
- ✓ **favorite potluck recipes,**
- ✓ **updated website, social media, or contact information**
- ✓ **obituary links or other remembrances of recently departed friends, and**
- ✓ **anything else that would be wonderful to share with your district brothers and sisters.**




---

## LETTER FROM THE DE'S DESK

*Be Filled with the Holy Spirit!*

Want to get nerdy with me for a minute? Our Moderator Danny Ludwick selected the verse Ephesians 5:18 this year, which says, "Do not get drunk with wine, which leads to reckless actions, but be filled with the Spirit." That phrase implies, of course, that it is the *Holy* Spirit to which Paul refers. Let's get Greek, shall we?

It is written in the present tense, implying that it is an ongoing, repeated, or habitual action – not a one-time event.

The voice is middle-passive in form, meaning that the "being filled" part is happening *to us*, not *by us*. Someone else is doing the filling. It is a state of being filled (continually), and it is God's Spirit doing the filling.

The mood is imperative, making it a command or exhortation, such as “you all must be filled!” In Western PA, we’d say, ***“Yinz need to let Him keep filling you!”***

That’s it. That’s the post. Yinz need to let the Holy Spirit keep you filled up.

The question is, How? How do I put myself in the position of receiving that ever-present, ever-constant infilling of the presence, power, and peace of Christ? I think Paul gives us some good clues in the preceding verses:

Verse 1 “imitate God”

Verse 2 “walk in love”

Verse 3 “remove sexual immorality”

Verse 4 “avoid foolish or crude talk”

Verse 6 “distrust deception”

Verse 8 “walk in the light”

Verse 10 “do what pleases the Lord”

Verse 11 “expose works of darkness”

Verse 15 “walk in wisdom”

Verse 16 “make your time count”

Verse 17 “don’t be an idiot” (my paraphrase, just to see if you’re reading my newsletter article).



When we are instead making music in our hearts to God, giving constant thanks, and submitting to one another as we respond in love to our reverence for Christ (Verses 19-21), we are demonstrating to the Holy Spirit that we want to be filled, we need to be filled, we love to be filled, we expect to be filled. As the Holy Spirit flows through our lives, we spend, He supplies.

Now we can operate in our spiritual gifts. Now we can be attuned to spiritual matters. Now we can be spiritually discerning. Now we can pray in the Spirit. Now we can love in the Spirit. Now we can extend grace, mercy, compassion and forgiveness from the Spirit. Now we can worship in Spirit and in Truth.

Watch what the Lord can do through Christian disciples as each of us expands our capacity to be filled more and more with the Holy Spirit of the Living God! -Leah J

---

## **NEWS AROUND THE OFFICE**

**LEAH SCHEDULING CHURCH VISITS FOR 2026:** I will be concluding my service as quarter-time pastor at Robinson Church of the Brethren on Easter Sunday, with the goal of relocating to be closer to all of you. That will give me much more openness and flexibility for church visits, pulpit supply, concerts, milestones, and revival meetings in the second half of the year. Text/Call or Email to get me on your calendars. 540-742-2457, westmarvade@gmail.com.

**DIRECTORY UPDATES:** Please update your copy of the 2026 Directory to include the Physical Address of Sugarlands, 2569 Sugarlands Rd, Hambleton WV 26269.

---

***Does your church have a directory?*** We'd love to have a copy at the district office! Email a digital version to [westmarvade@gmail.com](mailto:westmarvade@gmail.com) or send a paper copy to West Marva District, 384 Dennett Rd, Oakland MD 21550.

---

**RED BRETHREN HYMNALS:** Moorefield has donated surplus Red Brethren Hymnals (1951, reprinted 1968) that are available to any church who would like to borrow or keep them. Pickup at the District Office on Tuesdays, or delivery can be arranged. These can be used for home Bible study or worship, to replace damaged copies, for camp/retreat/revival gatherings, for outdoor worship services.

---

## **NEWS AROUND THE DISTRICT**

**MORGANTOWN** Hosted a public Seed Swap on March 7 at 2:30pm, partnering with Morgantown Freedom Farmers to make seed bombs.

**DISTRICT YOUTH MINISTRY** is being revived. Thelma Cox is inviting all teens, parents, youth leaders, pastors, and camp counselors to come to a mini-rally and meal, followed by a brainstorming session and informational gathering Saturday, April 11, 11am at Beaver Run, 1774 Beaver Run Rd in Burlington WV. Text Leah at 540-742-2457 or email the district office with a head count so we can plan ahead!

**GEORGES CREEK** will meet for food and fellowship on Friday, March 27, 6pm at Little Sandy's at the Ridge (aka Keyzers Ridge Diner), 4008 National Pike, Accident MD 21520. Come hang out!

**BEAVER RUN** Two upcoming events during the Eastertide: (Image to the right, Top left on next page)

**HOP ON OVER  
AND JOIN THE FUN !**

Where at:  
**THE BEAVER RUN CHURCH  
OF THE BRETHREN**

FOR OUR  
**EASTER  
EGG  
HUNT**

food will be served and prizes given  
**SATURDAY MARCH 28TH**  
at 12:00 p.m.  
1774 Beaver Run Road  
Burlington, WV

The poster features a light yellow background with several colorful Easter eggs (blue, orange, pink, purple) scattered around the text. The text is in various colors and fonts, with the main title 'EASTER EGG HUNT' in large, bold, multi-colored letters.



**Westernport:** We are very excited to be in the season of Lent. We have started a series called "The Keys," focusing on the question: What will you do with the knowledge of Jesus Christ?

We have a few things coming up on the Horizon:

- 1) Rummage Sale: March 6-8. Our fellowship hall is FULL of unique and interesting items from furniture to home decor, clothing, and collectible items. Friday, March 6, the sale will run from 4-7 PM. Saturday, March 7, it will run from 9 AM-4 PM. Sunday, March 8, the sale will conclude, with it running from 12 PM-2 PM. The youth will have a bake sale on Saturday.
- 2) Community Easter Egg Hunt: Saturday, March 28, we will have our annual community egg hunt. There are grand prizes for all ages, including adults. We have food and beverages, games to play, and more. The egg hunt will begin at 11. If you want to participate in some of the guessing games for prizes, come early to do so!
- 3) Holy Week Services
  - a) Maundy Thursday: We do a meal with a service to follow. This service includes aspects such as the Dayenu, which includes additional reading to move it from the Jewish aspect into our Christ-following understanding. We walk through the events of the upper room and hear from disciples. This service begins at 6 PM, and everything is in our fellowship hall
  - b) Good Friday: We have two services (2 PM and 7 PM). This service includes silent clips from the Passion of the Christ film with readings and a special voice that is heard in the background. It tugs at the heart and reminds us of what Christ went through.
  - c) Son-Rise Service: Easter morning at 7 AM, we have a shortened and special service that reminds us of Mary's events at the tomb. This service focuses on the enlightenment and calling to go forth and spread the good news.

We invite you to pray for us as we work to revamp our children's ministry. I have an idea that has hit my heart, and I am working to figure out a way to make this plan happen. With all things, we know that if God is not at the center, nothing can come from it. We want to allow God to lead and to make sure we follow his plan. We have already begun a redesign and update of our nursery, and are excited to see the fresh space come alive.

## **WEST MARVA MINISTRY TRAINING PROGRAM**

Are you discerning a calling on your heart into an area of ministry? Do you want to grow more in your theological knowledge and understanding? Are you looking for a group of folks to study with and learn from? You may be looking for a way to challenge what you think you know.

Look no further than the West Marva Ministry Training Program! This 3-year rotational program offers classes including Brethren History and Practice, Old and New Testament, Mission and Evangelism, Preaching and Pastoral Care, and more. The final class of the current tuition year is on March 21, 2026. This class, Mission and Witness, will be taught by Carl Fike.

Students must ensure tuition for the 2026-2027 year is paid by May 15, 2026. The tuition covers four classes and includes a small stipend for educators. Classes are from 9 AM-3 PM (4 PM at the latest). All classes are held at the Westernport Church of the Brethren in Westernport, Maryland. 198 Oakview Drive.

Anyone can audit a class, especially if you are looking for continuing education units. Each class will be half a credit. To count, you are expected to participate and support the students in the program by contributing to the conversation and sharing your subject-matter experience.

I want to encourage churches to identify individuals who may be interested in the three-year program. This does not mean students are looking to be licensed or ordained. Someone may have a calling for a commission to task, a type of leadership specific to their gifts. Maybe someone would like to be a deacon, and this course of study could provide guidance and resources to explore that calling. Someone may want to learn in a new environment for personal growth. This is not about a minister production line; it is about lifelong learning opportunities that help you grow in your relationship with Jesus.

2026 Courses:

Mission and Witness: March 21 (Carl Fike) \*End of 2025-2026 Tuition Year\*

\*Begin 2026-2027 Tuition Year\*-Tuition Due May 15, 2026

Preaching and Worship: May 30 (Allie Crowe and Jennifer Kreighbaum)

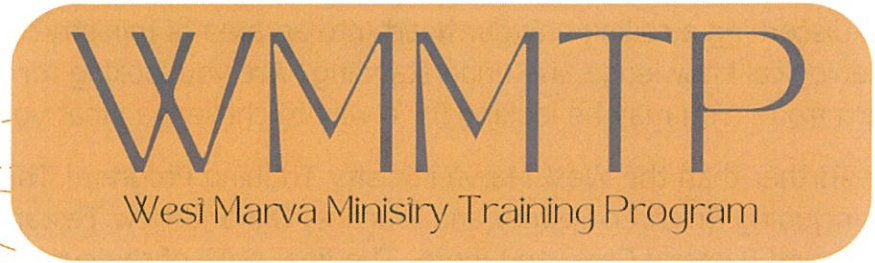
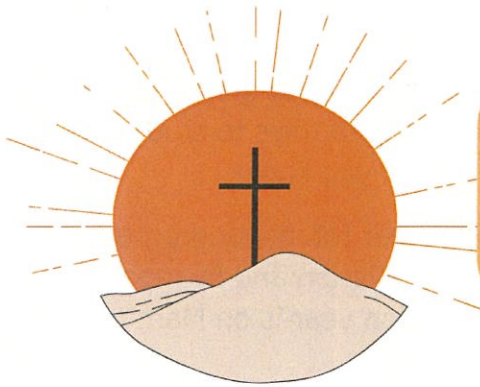
Practical Applications/Brethren Beliefs and Practices Date TBA (Diane May)

Prayer and Spiritual Growth: Date TBA (Leah Hileman)

For any questions, please contact Allie.

allie.crowe.07@gmail.com

608-215-8619



# Invoice

• Invoice #A2026

Invoice Date: 3/21/2026  
Due Date 5/15/2026

• Remit Payment: West Marva District Office

384 Dennett Rd  
Oakland, MD 21550

## May 2026- March. 2027 Fees

### Courses

- Preaching and Worship
- Practical Applications/Brethren Belief and Practices
- Prayer and Spiritual Growth
- Christian Faith and Ethics

Total

Note : Please make the payment by the specified due date and include student name

**\$75**

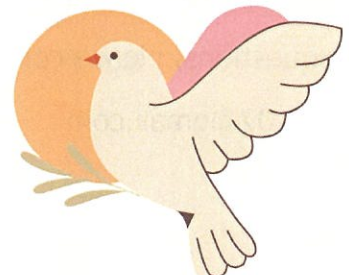


**Church of the Brethren**  
*Continuing the work of Jesus. Peacefully. Simply. Together.*

Dr. Allie Crowe

608-215-8619

allie.crowe.07@gmail.com



## **NEWS FROM AROUND THE DENOMINATION**

**ANNUAL CONFERENCE 2026** *will be in Fort Wayne, IN from Sunday, June 28 to Thursday, July 2.* In 2027 it will convene in Daytona Beach, FL. Note the special dates (for better rates) – Wednesday, July 28 to Sunday, August 1.

**Please plan, pray, budget, and prepare to send a delegate to Fort Wayne next summer.** Let's get full participation from our district churches. Any member in good standing may serve as a delegate. Pastors benefit from several continuing education events as well (***consider sending your pastor as a non-delegate!***).

If your congregation has not sent a delegate since 2020, please have your pastor or congregational contact check their email (or SPAM folder) for a message from the district office about an opportunity for you to send a delegate or to send your pastor as a non-delegate. We'd love to have all our congregations present and representing the voice of the district.

Church of the Brethren  
**ANNUAL CONFERENCE**  
 June 28-July 2, 2026



### **ANNUAL CONFERENCE FEES AND HOTEL INFORMATION:**

**Annual Conference 2026 fees, hotel, and schedule details are announced for Fort Wayne next summer**

#### **Registration fees:**

##### **Advance registration (March 4-June 7)**

Delegate: \$350

Nondelegates adult-full Conference: \$175

Nondelegates adult-daily: \$55

Post-high school to age 21-full Conference: \$50

Post-high school to age 21-daily: \$20

Current high school and younger: free (age group activity registration fee is additional)

##### **Onsite registration (opens June 27)**

Delegate: \$425

Nondelegates adult-full Conference: \$210

Nondelegates adult-daily: \$55

Post-high school to age 21-full Conference: \$50

Post-high school to age 21-daily: \$20

Current high school and younger: free (age group activity registration fee is additional)

**Virtual registration (nondelegate only)**

Adult (until June 10)-full Conference: \$220

Group/institutional-full Conference: \$500

— *Rhonda Pittman Gingrich is director of Annual Conference. Debbie Noffsinger is Conference assistant. Find out more about Annual Conference 2026 at [www.brethren.org/ac2026](http://www.brethren.org/ac2026)*

---

**BRETHREN VOLUNTEER SERVICE** Greetings! I hope this email finds you all well! My name is Virginia Rendler, and I am one of the new Brethren Volunteer Service Co-Directors along with Marissa Witkovsky-Eldred. I wanted to introduce myself to our district contacts and let you know that we have begun recruiting 2026 volunteers.

As you probably know, BVS offers year-long service opportunities for anyone over 18. We also have opportunities for retired individuals and married couples! The service opportunities are located throughout the US and abroad, and each year we are adding new projects. You don't have to be a member of the Church of the Brethren to join, as long as you are committed to sharing God's love through acts of service.

BVS will be hosting Zoom sessions for anyone who'd like more information about what becoming a volunteer looks like. The next meeting will be on March 17 at 8 pm EST. Here is the link to register: <https://us06web.zoom.us/meeting/register/z4AtJE1AQxyyM5rzs-IDQ>

You can always check out the BVS website at [BrethrenVolunteerService.org](http://BrethrenVolunteerService.org) or email us at [BVS@brethren.org](mailto:BVS@brethren.org). If you would like a BVS representative to Zoom in and speak with a group in your district, please don't hesitate to reach out. This helps us spread the word about BVS! A majority of volunteer join BVS because someone they know encouraged them to apply, so we rely on our community for support in recruiting.

Please let me know if you have any questions at all. I look forward to getting to know you in this new role! Thank you!

Virginia Rendler Brethren Volunteer Service | **Volunteer Coordinator**

[vrendler@brethren.org](mailto:vrendler@brethren.org), (612) 750-9777 or (847) 429-4387

---

**L.E.A.D. CONFERENCE** Registration is now open. <http://brethren.org/dlf/lead-conference/> Register soon for the early bird rates. This is a wonderful event (helped in planning by our very own Jennifer Kreighbaum, Bear Creek) that features Kayla Alphonse and Tod Bolsinger (author, speaker, and former conference preacher) as keynotes, among many other teachers, speakers, and worship leaders. Fun fact: Kayla is pastor at Miami First CoB where Leah Hileman's dad Ray used to be her pastor. LEAD stands for "Listen, Equip, Adapt, Disciple." This gathering will be chock full of practical ministry skills help, encouragement, networking, training, worship, and loads of fresh ideas. Come hungry. Leah is attending and is happy to share her car with anyone who would enjoy going. May 1-3, hosted by Ephrata CoB in Ephrata, PA.



# CHURCH OF THE BRETHERN MINISTERS' ASSOCIATION PRE-ANNUAL CONFERENCE CONTINUING EDUCATION EVENT

## Redeeming AI: Biblical Guidelines

June 27-28, 2026 prior to the 2026 Annual Conference, Fort Wayne, IN

**Dr. Russell Haitch, Presenter**

Artificial intelligence has been moving fast, yet many experts say we are still in the early stages—the first drops of rain before the downpour. Now we see coming toward us AI assistants and advisors, tutors for children, aides for the elderly, and even AI companions and romantic partners. People will draw the line at different points, yet more and more of us are on speaking terms with machines. What does it mean for ministry and for the future of humanity? Christian theology offers crucial insights for charting a pilgrim path through this new territory. Join us for learning and conversation on what happens when artificial intelligence meets ancient biblical wisdom.

### RUSSELL'S THREE SESSIONS INCLUDE:

#### **Boomers and Doomers**

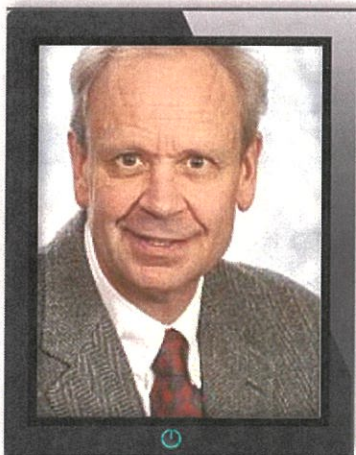
A lively look at the optimism and anxiety surrounding AI—and how it affects the church

#### **In the Image of God**

How to keep humanized machines from mechanizing us

#### **For the Road Ahead**

Tool kit and first-aid kit for ministry in an AI world



Russell Haitch (PhD, MDiv Princeton Theological Seminary) is professor of theology and human science at Bethany Theological Seminary. He has been a pastor for multiethnic congregations and a writer for a New York advertising agency. His books include *Eyes of the Heart: Seeing God in an Age of Science*, *From Exorcism to Ecstasy: Eight Views of Baptism*, and the forthcoming *Godlike Power: Saving Our Humanity in the Age of AI*.

Russell enjoys running in big cities and traveling with his wife Judi, who grew up in Kenya, along with their two children. Recently they adopted a stray dog, Fifi, after years of saying "absolutely not." He looks forward to coming to the conference and connecting with fellow ministers.

### ARRIVAL / REGISTRATION

Saturday, June 27  
3:00-6:00 p.m.

### EVENT

Saturday, June 27  
6:00-9:00 p.m.

Sunday, June 28  
9:00-11:45 a.m.  
1:15-4:00 p.m.

### LUNCHEON

(Available for purchase  
only until June 1)

Sunday, June 28  
12:00 noon-1:00 p.m.

**Beginning March 2026**

**Register online at**  
[www.brethren.org/  
ministryoffice](http://www.brethren.org/ministryoffice)

or by mail using the 2026  
Event Registration Form on  
reverse

Church of the Brethren Ministers' Association Pre-Annual Conference Continuing Education Event

**Registration Form - June 27-28, 2026**

Or register online at [www.brethren.org/ministryoffice](http://www.brethren.org/ministryoffice)

(Pre-registration for price break needs to be received by June 1, 2026. Thanks!)

Name(s) \_\_\_\_\_

Address \_\_\_\_\_

Phone # ( ) \_\_\_\_\_ E-mail: \_\_\_\_\_

*Registration will be confirmed by email if you provide an email address.*

Translation needed for: Spanish \_\_\_ Creole \_\_\_ Sign Language \_\_\_

**Registration Fee Schedule (In Person Only):**

\_\_\_ **First-timer Fee!** \$95.00 (\$130 at the door)

\_\_\_ Individual \$135.00 (\$185.00 at the door)

\_\_\_ Couple \$195.00 (\$245.00 at the door)

\_\_\_ Current seminary, EFSM, or TRIM student \$95.00 (\$130.00 at the door)

**Registration Total \$** \_\_\_\_\_

**Continuing Education Unit (0.75) Certificate** (credentialed clergy only) # \_\_\_\_\_ X \$10.00 \$ \_\_\_\_\_

**Please enjoy Saturday evening dinner on your own.**

\_\_\_ **Sunday, June 28 Luncheon Ticket** \$ 30 per person \$ \_\_\_\_\_

(Meals for adults and children are the same. Meal orders must be received by June 1.

**There will be no meal tickets available at the door. Thanks!**

Dietary needs: Vegetarian # \_\_\_ Vegan# \_\_\_ Gluten Free # \_\_\_ Dairy-Free# \_\_\_

**On-Site Child Supervised Play for Toddler – Elementary School**

Sessions needed: Sat. Evening \_\_\_ Sun. Morning \_\_\_ Sun. Afternoon \_\_\_

Children's Names and Ages: \_\_\_\_\_

**Off-Site Tween/Teen Option (See QR code for more Tween/Teen info.)**

Sessions needed: Sat. Evening \_\_\_\_\_

Sun. Morning & Afternoon Combo (double session: must attend both) \_\_\_\_\_

Tween/Teen Names and Ages: \_\_\_\_\_

Parent/Guardian Contact (during sessions): \_\_\_\_\_

Indicate any special needs or allergies: \_\_\_\_\_

Fees for Child & Tween/Teen per session: \$10.00/child or \$50.00 max total per family

# of children (all ages) \_\_\_ x \$10 x # of sessions \_\_\_\_\_

Total supervised care: \$ \_\_\_\_\_

Registration processing fee: \$ 2.50

**Total Fees Enclosed:** \$ \_\_\_\_\_



**Checks payable to: CoB Ministers' Association. Mail registration by June 1, 2026, to:**

Ministers' Association, Attn. Ben Lattimer, Stone Church of the Brethren,

1623 Moore St., Huntingdon, PA 16652-2045.

If your plans change, we can process a full refund up until June 1, 2026. After that, you can receive a refund less a \$50 cancellation fee.

**We are grateful to our event sponsors:**

**Part-time Pastor, Full-time Church Program, and Bethany Theological Seminary**

## Policy for Viewing Prerecorded Material for CEUs

Given the growing body of recorded works created by the agencies of the Church of the Brethren, such as webinars and recordings of live events, certain recordings, as outlined below, may now be viewed for the purpose of receiving continuing education units (CEUs). For these recordings to be eligible for CEUs, they must: 1) have been created by a Church of the Brethren agency, 2) be no more than ten years old, and 3) have been originally offered for CEUs according to the criteria set forth by the Brethren Academy for Ministerial Leadership. Some of the websites housing eligible recordings are listed below\*.

After viewing a recording that meets the aforementioned criteria, clergy may go to the Brethren Academy webpage <https://bethanyseminary.edu/brethren-academy/> to complete a "Continuing Education Report for Recorded Material". This fillable web form will require the viewer to provide the following information: viewer's name, district, contact information, title of the event, the website on which the recording was found, the length of the recording, the name(s) of the keynote speaker(s), and a paragraph identifying one central idea or new insight gained from the recording. Upon completion of the form, the viewer may print and mail the report to the Brethren Academy along with the certificate fee. All submissions will be reviewed by the Director of the Brethren Academy before CEUs are awarded.

Viewing a recording after the event is equivalent to the credit awarded for attending a live presentation. For example, attending a one-hour live webinar is worth 0.1 CEU. Viewing that same webinar after the fact is also worth 0.1 CEU.

CEU certificates will not be awarded for quantities of less than 0.2 CEUs; however, several events may be combined for one certificate. For instance, two one-hour recordings may be combined for a total of 0.2 CEUs or the minister could view one three-hour recording for 0.3 CEUs. A separate "Continuing Education Report for Recorded Material" is required for each recording viewed.

The CEU certificate fee is \$10, with one certificate being awarded for up to 4 recorded events. Each of those events may be of any length as long as the combined total is greater than 2 hours or 0.2 units. A digital copy of the certificate will be mailed to clergy and a digital copy will be kept on file by the Brethren Academy.

The Brethren Academy recommends that districts apply no more than 25 hours (2.5 CEUs) of recorded material toward the 50 hours (5.0 CEUs) of continuing education required during each 5-year cycle. This ensures that individuals will participate in live CEU events while allowing for a significant number to be completed online.

\*Websites housing eligible recordings include, but are not limited to, the following:

- Discipleship Ministries: <http://www.brethren.org/webcasts/archive.html>
- Youth and Young Adult Ministries: <http://www.brethren.org/yya/webcasts.html>
- On Earth Peace: <https://www.youtube.com/user/OnEarthPeaceTV/videos>
- McPherson College Ventures in Christian Discipleship: <https://www.mcpherson.edu/ventures/archive-registration/>

Hello West Marva District COB,

We're excited to share some great news—[a new CWS Kit Drop Off location has just opened near you!](#)

**Mission Central**

5 Pleasant View Drive  
Mechanicsburg, PA 17050

**HOURS:** Monday–Friday, 9 a.m.–3 p.m.  
(Closed on weekends and holidays)

You may mail or drop off kits directly at this location. Please plan to arrive by 2:30 p.m. so our team has time to assist you before closing. Look for the orange door for CWS Kit deliveries. If your delivery fills more than an SUV, please call 717-766-1533 in advance.

If your congregation has been looking for a meaningful, hands-on mission opportunity, now is the perfect time to pack [CWS Kits](#). From [Hygiene Kits](#) and [Period Packs](#) to [Kids Kits](#) and [Emergency Cleanup Buckets](#), these simple items make a big difference for families and individuals recovering from disasters or struggling with daily challenges.



**Short on time?** Don't worry! You can order ready-made [CWS Party Packs](#) online. If you choose to bring them to your NEW CWS Kit Drop Off let us know, and **you can save on return shipping costs**—a win-win!

This is a wonderful way for your congregation, youth group, or small group to come together, put faith into action, and share God's love in a tangible way.

Let's fill this new CWS Kits Drop Off with love, care, and hope—one kit at a time!

With gratitude,  
Tiffany DeTienne

**Rev. Dr. Tiffany DeTienne**

Development Operations Coordinator—Congregations

[Church World Service](#)

[tdetienne@cwsglobal.org](mailto:tdetienne@cwsglobal.org) | (913) 415-1443 | Central Time

## National Youth Sunday



Light within Us

Matthew 5:14 – 16

*Suggested date: May 3, 2026*

<https://www.brethren.org/yya/national-youth-sunday/>

Worship Resources, available by April

National Youth Sunday is a great way for congregations to incorporate your teenagers in worship design and leadership. Get them all involved! **Pray continually for Christian youth and train them daily to become lifelong disciples of Jesus Christ.**

# NEED TO SAVE FOR NYC?



## FUNDRAISING IDEAS BELOW!

### GET CREATIVE!

FLAMINGO YARDS  
HOST A PICKLEBALL  
TOURNAMENT OR 5K

### ONLINE

**FUNDRAISING!**  
WITH DOUBLEGOOD  
POPCORN!

### SERVE OTHERS!

SHOVEL SNOW  
SPRING CLEANING  
RAKE LEAVES



### BE CLASSIC!

HOST A MEAL AT CHURCH  
HOST A BAKE SALE  
SELL HOMEMADE ITEMS

# National Youth Conference

## Light within US

—Matthew 5:14-16



**July 18 - 23, 2026**



**YMCA of the Rockies in Estes Park, CO**



**Registration opens January 5, 2026**



**[www.brethren.org/nyc](http://www.brethren.org/nyc)**

National Youth Conference (NYC) provides young people in high school and the first year of college (or are age equivalent) and their advisors the chance to gather for a week of fellowship, worship, workshops, recreation, and more!



# National Youth Conference 2026

Registration (which includes fun & faith-centered activities from 7 a.m. to midnight for 5 days – all in the heart of the Rocky Mountains!) opens January 5 and closes June 30, 2026.



## Registration Fees

Early Bird (January and February): \$625

Regular (March & April): \$650

Late (May & June): \$675

Non-Refundable Deposit (due within 2 weeks of registering): \$325

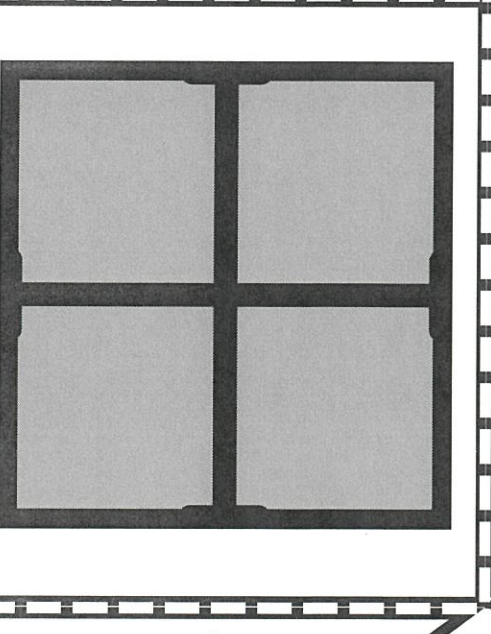
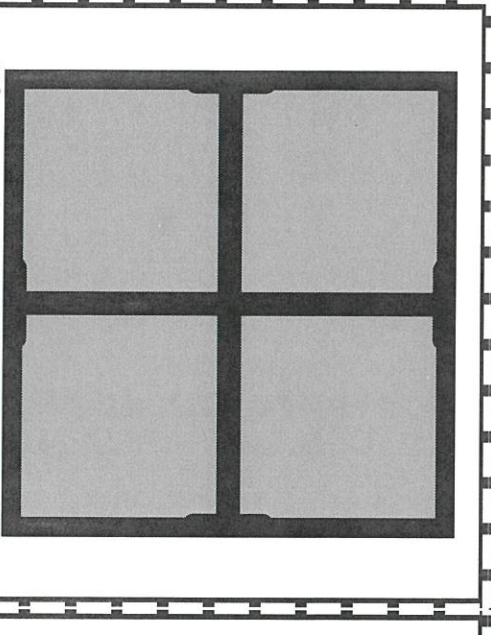
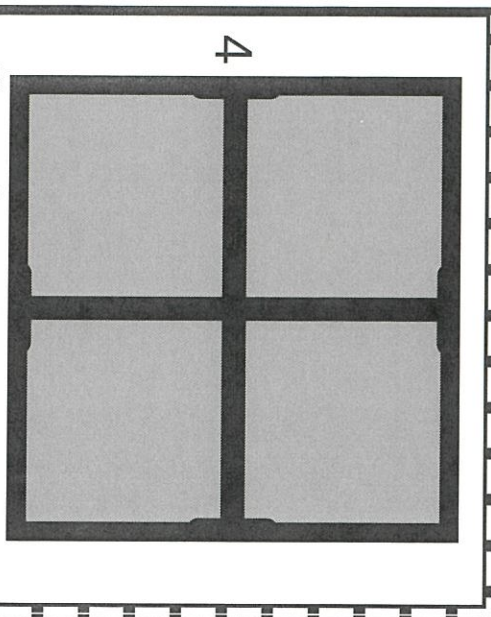
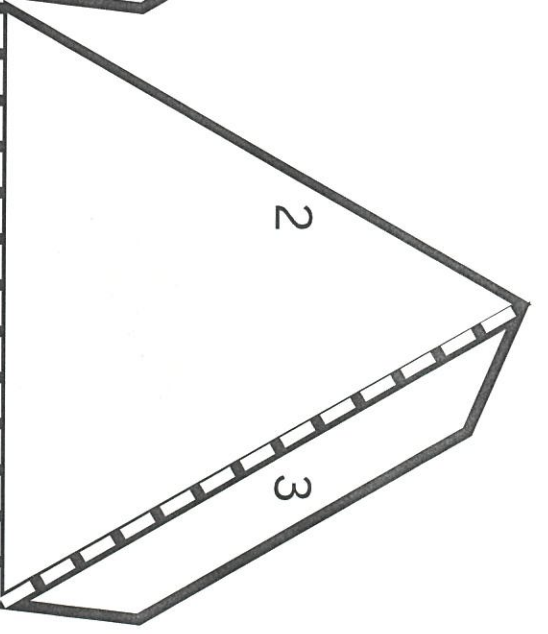
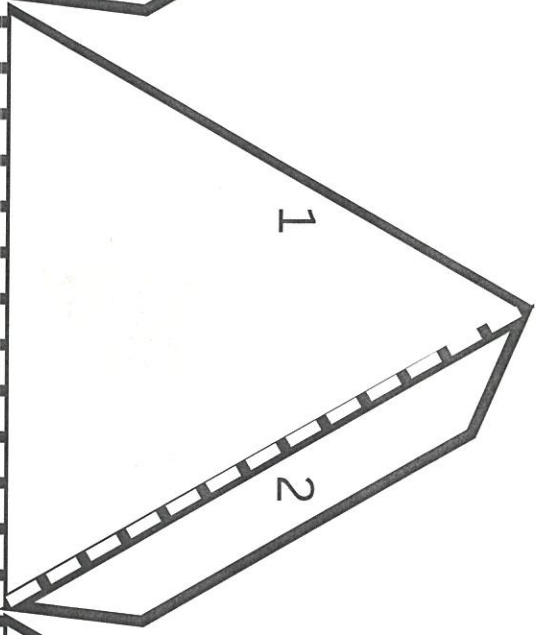
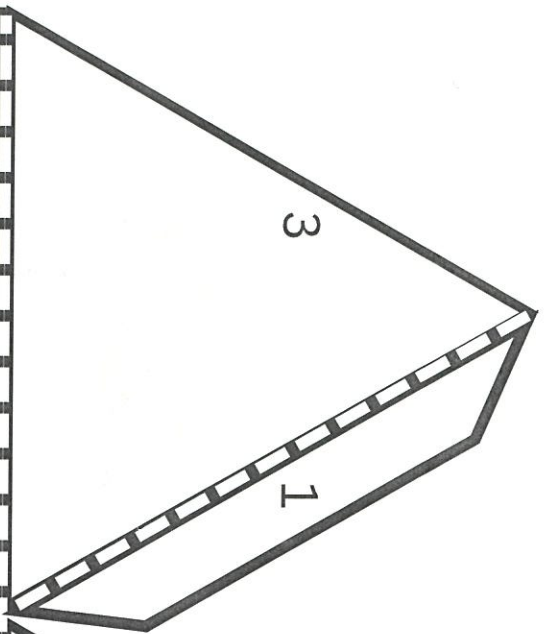
*Intercultural scholarships available*



Photo Credits: Glenn Riegel & Chris Brumbaugh-Cayford

## Congregations, please note:

*All youth must be accompanied by an adult advisor, age 22 or older. Please send at least one advisor; the advisor to youth ratio for your group should be one advisor per four youth. Due to housing supervision, please send female and male advisors if your group includes female and male youth. NYC cannot accommodate children of participants, advisors, and staff who are not eligible to attend as participants.*



**Kijan pou kreye pwòp lantrèn papye ou:**

- 1.) Koupe sou liy nwa solid yo
- 2.) Koupe kare gri yo
- 3.) Pliye sou liy pwen yo (bò sa a pliye anndan)
- 4.) Matche nimewo yo epi kole yo ak tep oswa lakòl
- 5.) Ajoute yon ti lanp te ki mache ak pil anndan (opsyonèl)
- 6.) Make 5 janvye 2026 sou kalandriye ou!

**Cómo crear tu propia linterna de papel:**

- 1.) Corta por las líneas negras
- 2.) Recorta los cuadrados grises
- 3.) Dobla por las líneas punteadas (este lado doblado hacia adentro)
- 4.) Une los números y pégalos con cinta adhesiva o pegamento
- 5.) Agrega una vela de té a pilas en el interior (opcional)
- 6.) ¡Marca el 5 de enero del 2026 en tu calendario!

**How to create your own paper lantern:**

- 1.) Cut along the solid black lines
- 2.) Cut out the grey squares
- 3.) Fold on the dotted lines (this side folded in)
- 4.) Match the numbers and tape or glue
- 5.) Add a battery powered tea light inside (optional)
- 6.) Mark January 5, 2026 on your calendar!



**Registration opens on  
January 5, 2026!**

**Early Bird Registration  
(Jan-Feb): \$625**

**\*Cost increases March 1\***

**[www.brethren.org/nyc](http://www.brethren.org/nyc)**

**La inscripción abre el 5  
de enero de 2026!**

**La inscripción anticipada  
(enero y febrero): \$625**

**\*aumento de costos el 1 de marzo\***

**[www.brethren.org/nyc](http://www.brethren.org/nyc)**

**Enskripsyon yo ap  
louvri 5 janvye 2026!**

**Frè enskripsyon bonè  
(janvye ak fevriye): \$625**

**\*ogmantasyon pri lye mas\***

**[www.brethren.org/nyc](http://www.brethren.org/nyc)**

# Don't Have Youth? Here's How to Support Them Anyway.

We know that some of our congregations have no active youth ministry or youth group, and some of you lament the loss of youth in your congregation over the years. The beauty of Christianity is its commitment to discipling people into the faith, as well as its calling to be sources of mutual benefit and aid from one church to another.

As our youth ministry program is revitalized, consider the following ways you or your church might be a blessing as we actively unite youth and provide them spiritual growth, Christian guidance, friendship, and help them to discern God's call for their lives.

## WAYS TO SUPPORT DISTRICT YOUTH

- ✓ Do you have a youth ministry fund or line item in the church budget with money already allocated? Pray about donating a sum of it to the district level youth ministry.
- ✓ Do you have a family with one lone teenager who comes occasionally? Consider sponsoring that teen to attend one of our district events or the National Youth Conference, or attend one of our summer sleepaway camps.
- ✓ Do you have money designated for leadership development or continuing education for church members? These events certainly qualify! There will always be worship, Bible Study, discipleship ministry, and ministry skills training at all our district youth events.
- ✓ Do you just really love teenagers and want to see more become strong Christian leaders in their schools, families, churches, and future careers? Consider a personal or congregational love offering.
- ✓ Do you have undesignated bequest funds waiting to be assigned a Kingdom-sized job? Support our youth through their challenging teen years as the church walks alongside them to prepare them for lifelong Christian devotion and service.
- ✓ Do you enjoy being with teens? Members in good standing who have passed a simple background check can volunteer to chaperone rallies and retreats, events and outings. The District Office is happy to arrange those checks.

***We invite every congregation in West Marva to support District Youth Activities, even if you are currently without youth.***

***Joyful offerings may be sent to the District Office at 384 Dennett Rd, Oakland MD 21550.***

***Make checks payable to West Marva District Youth.***

DON'T LET ANYONE LOOK  
DOWN ON YOU BECAUSE  
YOU ARE

**YOUNG,**

BUT SET AN EXAMPLE FOR  
THE BELIEVERS

IN **SPEECH**

IN **CONDUCT**

IN **LOVE**

IN **FAITH**

IN **PURITY**

1 TIMOTHY 4:12

# THE WEST MARVA MEMO IS FOR EVERYONE!

Would you like to receive the District MEMO,  
our bi-monthly newsletter?

Email the district office at [westmarvade@gmail.com](mailto:westmarvade@gmail.com) with your email address to be added to the district mailing list, or fill out and send back the bottom portion of this form to receive a hard copy at home.

Each congregation receives a complimentary hard copy at the contact address on file with the district. Be sure your church information is correct in the Directory, and notify Leah in the office with any updates.

**Yes, I'd like to receive a hard copy of the monthly MEMO  
from West Marva District.**

My name is \_\_\_\_\_ (First and Last)

My mailing address is \_\_\_\_\_  
\_\_\_\_\_

(Return this portion by mail to West Marva District Office, 384 Dennett Rd, Oakland MD 21550.)